

# Mini-Workstation Series

10.4" ~ 19" IP65 Mini-Workstation, Robust, Shock Resistance and OSD Function

- 1 Application Server Platform
- 2 Single Board Computer
- 3 IBX Series POS PC
- 4 AFOLUX POS Panel PC
- 5 Video Capture Card
- 6 KAMIO RISC
- 7 IOVU Open HMI
- 8 VITO Universal Controller
- 9 DINO BLADE
- 10 LCD Product Series
- 11 Embedded System
- 12 Industrial Computer Chassis
- 13 Power Supply
- 14 Peripherals



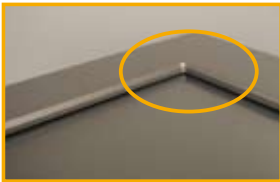
## Features

1. Aluminum front panel meets IP65 standard for tough working environment
2. Optional RS-232 interface touch screen
3. Robust chassis and retention kit structure for shocking and vibration requirement
4. Over 300cd/m<sup>2</sup> high brightness and 50000hrs MTFB long lifetime panel
5. Advanced thermal and air-flow design
6. Panel mount / Rack mount support

## MPC Advanced Features

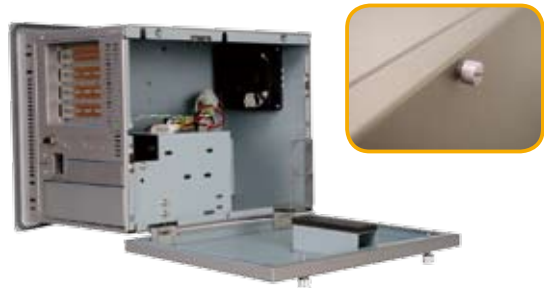
### ■ IP65 Waterproof Aluminum front panel

IP65 standard is the highest dusty, water and oil proof level in ground usage, it absolutely prevents any micro-particle into the system from front panel, and let the system adapting harsh environment.



### ■ Robust chassis to against shocking and vibration

After thousands tests, we choose "Rigidity" as new designing concept. Every parts runs at "One component", "Less joint and connection" method to enhance the shock and vibration sustainability.



### ■ Optional RS-232 interface touch screen

MPC series provide RS-232 reserved port for touch screen. IEI MPC provides T-R model with high strength Fiber Glass Touch Screen for applications.



Optional RS-232 port

### ■ High brightness 50000 hrs MTBF long lifetime panel

Out-door applications are usually required by high brightness environments. The luminance will be reduced by touch screen to protection lens on the panel. The typical panels which are usually lower than 200 cd/m<sup>2</sup>, MPC series use the high brightness panel (230 cd/m<sup>2</sup>) and have longer lifetime for more quality in above environment.



### ■ Complete Drive / IO support

5.25" , 3.5" , and FDD drive bay options meets all kinds of application demands. User can easily integrate every size of media drive for their needs.



Multi I/O connectors

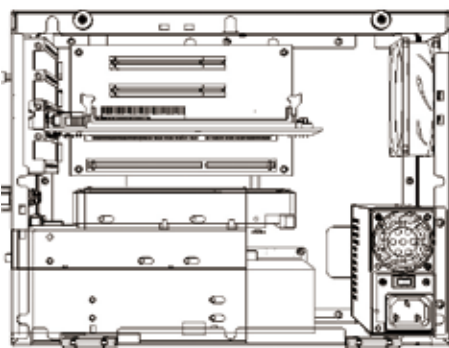
**Analog VGA interface supports all CPU boards**

Almost Slot SBC systems have video output with analog VGA but without LVDS or TTL direct LCD panel interface. MPC series equipped with analog-digital convert board to support most flexible SBC graphic compatibility.

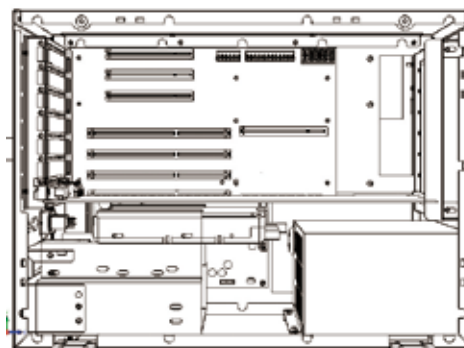


**Slot SBC Solutions**

Model	SBC form factor	Model	SBC form factor
MPC-50GS	PCI SBC	MPC-55GS	PICMG SBC
MPC-52GS	PCISA SBC	MPC-57GS	PIAGP SBC
	ISA SBC	MPC-59GS	Half-size SBC



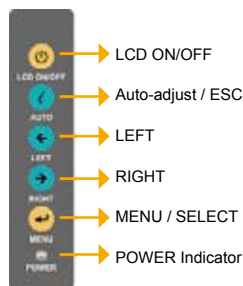
Half size SBC



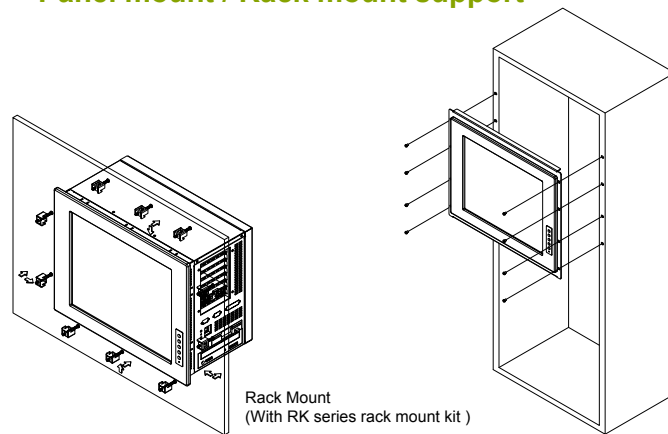
Full size SBC

**Full OSD Function in the front panel**

IEI MPC Series integrates full OSD function in the front panel, users can easily configure all monitor functions by the water proof OSD function keys. With the convenient function, user doesn't have to move the monitor or whole system to do the adjustment. The most benefits is using this OSD located in the front panel, user can change the brightness of LCD panel and extend the panel life.



**Panel mount / Rack mount support**



Rack Mount  
(With RK series rack mount kit)

**Advanced thermal and air-flow design**

Thermal condition is the most important issue of new generation IPCs. IEI's new "Single Way" design provides you higher system performance capability and more flexibility for the environment.



1 Application Server Platform

2 Single Board Computer

3 IBX Series POS PC

4 AFOLUX POS Panel PC

5 Video Capture Card

6 KAMIO RISC

7 IOVU Open HMI

8 VITO Universal Controller

9 DINO BLADE

10 LCD Product Series

11 Embedded System

12 Industrial Computer Chassis

13 Power Supply

14 Peripherals

# Industrial Mini-Workstation Selection Guide



1  
Application  
Server  
Platform

2  
Single  
Board  
Computer

3  
IBX Series  
POS PC

4  
AFOLUX  
POS  
Panel PC

5  
Video  
Capture  
Card

6  
KAMIO  
RISC

7  
IOVU  
Open HMI

8  
VITO  
Universal  
Controller

9  
DINO  
BLADE

10  
LCD  
Product  
Series

11  
Embedded  
System

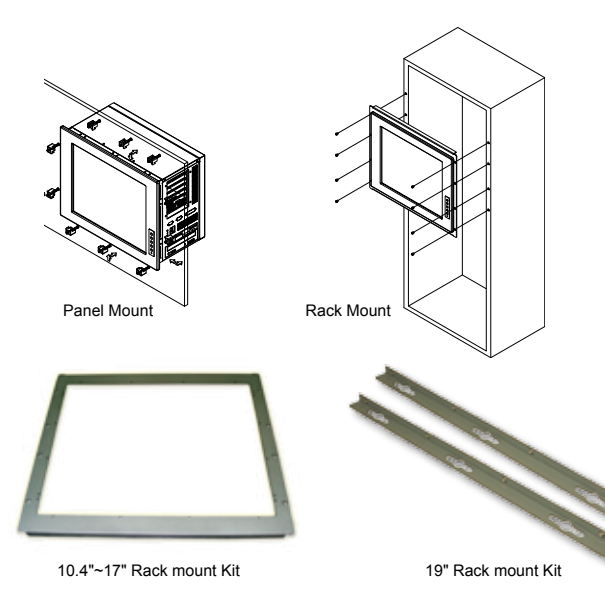
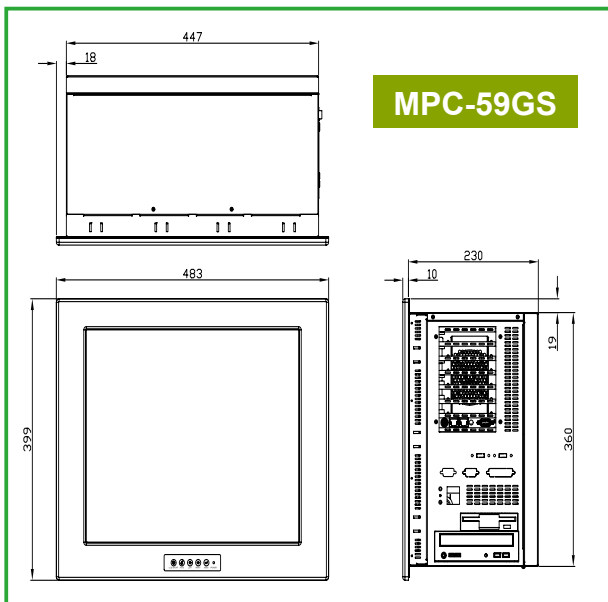
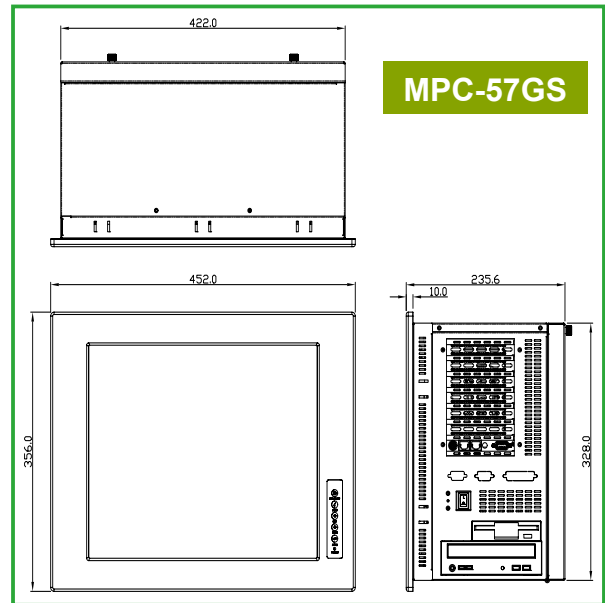
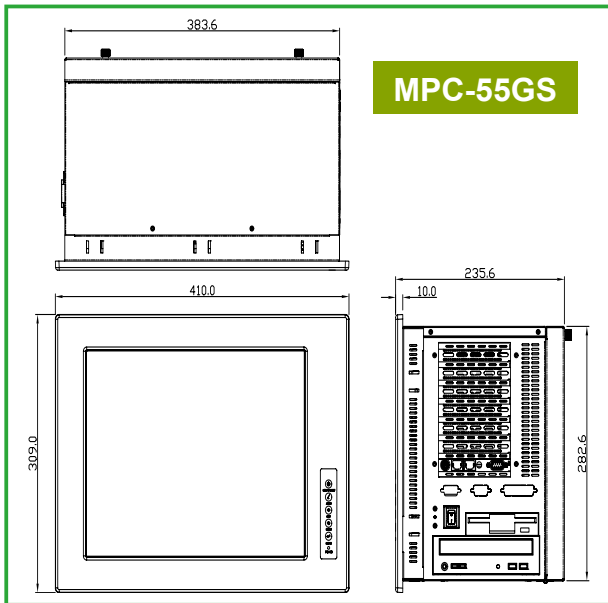
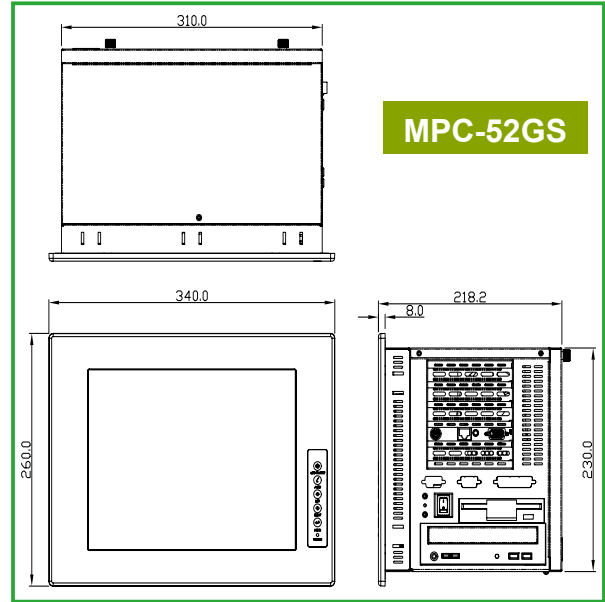
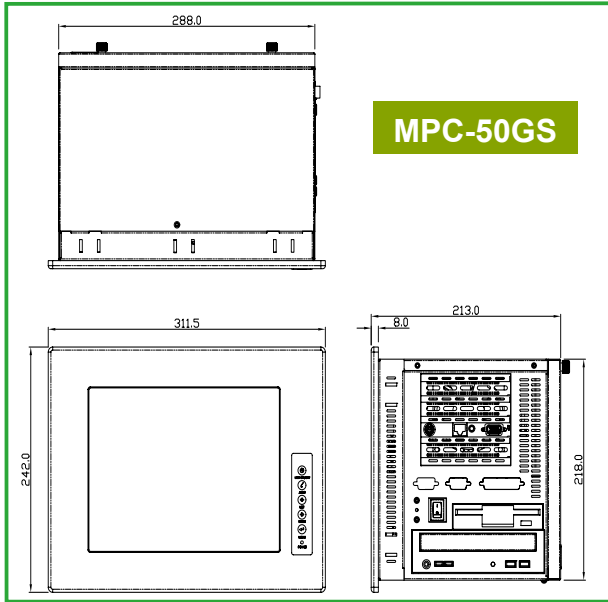
12  
Industrial  
Computer  
Chassis

13  
Power  
Supply

14  
Peripherals

	MPC-50GS	MPC-52GS	MPC-55GS	MPC-57GS	MPC-59GS
<b>LCD Size</b>	10.4"	12.1"	15"	17"	19"
<b>Resolution</b>	800*600	800*600/1024*768	1024*768	1280*1024	1280*1024
<b>Brightness (cd/m<sup>2</sup>)</b>	230/400	400/450	350	300	300
<b>Contrast</b>	500:1	500:1/700:1	400:1	500:1	700:1
<b>LCD color</b>	262K	262K	262K	16.2M	16.2M
<b>Backlight MTBF (Hours)</b>	50000	50000	50000	50000	50000
<b>Input Interface</b>	Analog VGA (DB-15)				
<b>Slot</b>	4 slots	5 slots	7 slots	7 slots	7 slots
<b>Form Factor</b>	Half Size SBC		Full / Half Size SBC		
<b>Mounting</b>	Panel Mount / 19" Rack Mount				
<b>Front Frame</b>	Aluminum				
<b>IP Level</b>	IP65				
<b>OSD</b>	Yes				
<b>HDD Drive Bay</b>	1 x 3.5" HDD	1 x 3.5" HDD	1 x 3.5" HDD	1 x 3.5" HDD	1 x 3.5" HDD
<b>CD-ROM Drive Bay</b>	1 x 5.25" CD-ROM	1 x 5.25" CD-ROM	1 x 5.25" CD-ROM	1 x 5.25" CD-ROM	1 x 5.25" CD-ROM
<b>FDD Bay</b>	1 x 3.5 FDD	1 x 3.5 FDD	1 x 3.5 FDD	1 x 3.5 FDD	1 x 3.5 FDD
<b>System Fan</b>	8cm ball bearing 38 CFM fan				
<b>Optional Touch Screen</b>	5-wire resistive touch screen				
<b>Vibration</b>	5 ~ 17 Hz, 0.1" double amplitude displacement 17~640 Hz, 1.5G acceleration peak to peak				
<b>Shock</b>	10G acceleration peak to peak (11ms)				
<b>Relative Humidity</b>	5 ~ 95%, non-condensing				
<b>Operating Temperature</b>	0 ~ 50°C				
<b>Color</b>	Silver (PANTONE PMS-8001)				
<b>Dimension (W x H x D) (mm)</b>	312 x 242 x 213	340 x 260 x 218	410 x 309 x 236	452 x 356 x 236	483 x 399 x 240
<b>Weight (NW / GW)</b>	6.6 / 9.3 kg	7.2 / 9.9 kg	11.1 / 14.7 kg	14 / 17.8 kg	16.8 / 20.5 kg
<b>Recommend Backplane</b>	IP-4SA HPE-4S1 / 4S2	IP-5SA / IP-5SA2 HPE-5S1 / 5S2 HPE-5S3	PCI-7S IP-7S BP-7S PCIAGP-6S PE-6S / 7S / 7S2	PCI-7S PE-6S IP-7S PCIAGP-6S HPE-7S1 PE-7S / 7S2 / 10S	PCI-7S PE-6S IP-7S BP-7S PCIAGP-6S HPE-7S1 PE-7S / 7S2 / 10S
<b>Power Supply</b>	ACE-916A(AP)-RS (AT) ACE-4518AP-RS ACE-4520C-RS ACE-815C(T)-RS		<b>AT:</b> ACE-925A(AP/AP-U/M)-RS ACE-932A-RS ACE-935AL-RS ACE-940AP-RS  <b>ATX:</b> ACE-4860AP-RS ACE-828A(C/M/V)-RS ACE-832A(AP/AP-S)-RS ACE-840A-RS ACE-841AP-S-RS ACE-850AP-RS-24		

Dimensions



- 1 Application Server Platform
- 2 Single Board Computer
- 3 IBX Series POS PC
- 4 AFOLUX POS Panel PC
- 5 Video Capture Card
- 6 KAMIO RISC
- 7 IOVU Open HMI
- 8 VITO Universal Controller
- 9 DINO BLADE
- 10 LCD Product Series
- 11 Embedded System
- 12 Industrial Computer Chassis
- 13 Power Supply
- 14 Peripherals

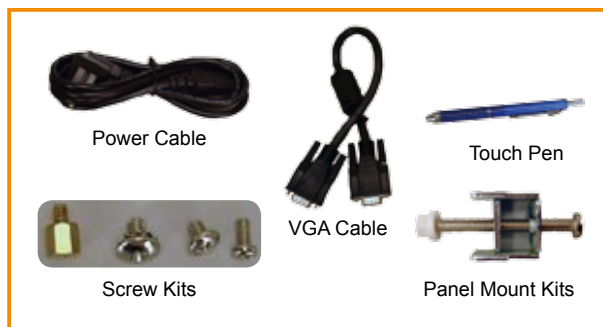
### Ordering Information

MPC-50GS / 916AP / T-R	10.4" 230cd/m <sup>2</sup> SVGA TFT LCD Industrial Panel PC, Aluminum Front, Silver Color, W/ACE-916AP/10.4" Touch Screen
MPC-50GS / 4518AP / T-R	10.4" 230cd/m <sup>2</sup> SVGA TFT LCD Industrial Panel PC, Aluminum Front, Silver Color, W/ACE-4518AP/10.4" Touch Screen
MPC-50GHS / 916AP / T-R	10.4" 400cd/m <sup>2</sup> SVGA TFT LCD Industrial Panel PC, Aluminum Front, Silver Color, W/ACE-916AP/10.4" Touch Screen
MPC-50GHS / 4518AP / T-R	10.4" 400cd/m <sup>2</sup> SVGA TFT LCD Industrial Panel PC, Aluminum Front, Silver Color, W/ACE-4518AP/10.4" Touch Screen
MPC-52GS / 916AP / T-R	12.1" 400cd/m <sup>2</sup> SVGA TFT LCD Industrial Panel PC, Aluminum Front, Silver Color, W/ACE-916AP/12.1" Touch Screen
MPC-52GS / 4518AP / T-R	12.1" 400cd/m <sup>2</sup> SVGA TFT LCD Industrial Panel PC, Aluminum Front, Silver Color, W/ACE-4518AP/12.1" Touch Screen
MPC-52GXS / 916AP / T-R	12.1" 450cd/m <sup>2</sup> XGA TFT LCD Industrial Panel PC, Aluminum Front, Silver Color, W/ACE-916AP/12.1" Touch Screen
MPC-52GXS / 4518AP / T-R	12.1" 450cd/m <sup>2</sup> XGA TFT LCD Industrial Panel PC, Aluminum Front, Silver Color, W/ACE-4518AP/12.1" Touch Screen
MPC-55GS / 832AP / T-R	15" 350cd/m <sup>2</sup> XGA TFT LCD Industrial Panel PC, Aluminum Front, Silver Color, W/ACE-832AP/15" Touch Screen
MPC-57GS / 832AP / T-R	17" 300cd/m <sup>2</sup> SXGA TFT LCD Industrial Panel PC, Aluminum Front, Silver Color, W/ACE-832AP/17" Touch Screen
MPC-59GS / 832AP / T-R	19" 300cd/m <sup>2</sup> SXGA TFT LCD Industrial Panel PC, Aluminum Front, Silver Color, W/ACE-832AP/19" Touch Screen

### Options

LCD size	10.4"	12.1"	15"	17"	19"
PACK Mount Kit	RK-104MS-R10	RK-121MS-R10	RK-150MS-R10	RK-170MS-R10	RK-190MS-R10
Panel Mount kit	PK-104M	PK-170M	PK-170M	PK-170M	PK-190M

### MPC Series Standard Packing



### Packing information

Part Number	Description	Amount	Remark
32000-023200-RS	VGA Cable	1	
32000-000002-RS	Power Cable	1	Standard Packing, For Europe 32000-000004-RS For South Africa 32000-000022-RS For Australia 32000-000025-RS For America 32000-000026-RS For Switzerland
19600-000132-RS	Screw kits	1	
32000-025604-RS	RS-232 Cable / Touch Pen / Driver CD-ROM for Touch Screen		
PK-104M,PK-170M,PK-190M	Panel Mounting kits	1	
	User Manual	1	

