

TPC-SRF150S

15.0" Customized Full IP66 Stainless Steel Panel PC

Version: 1.0



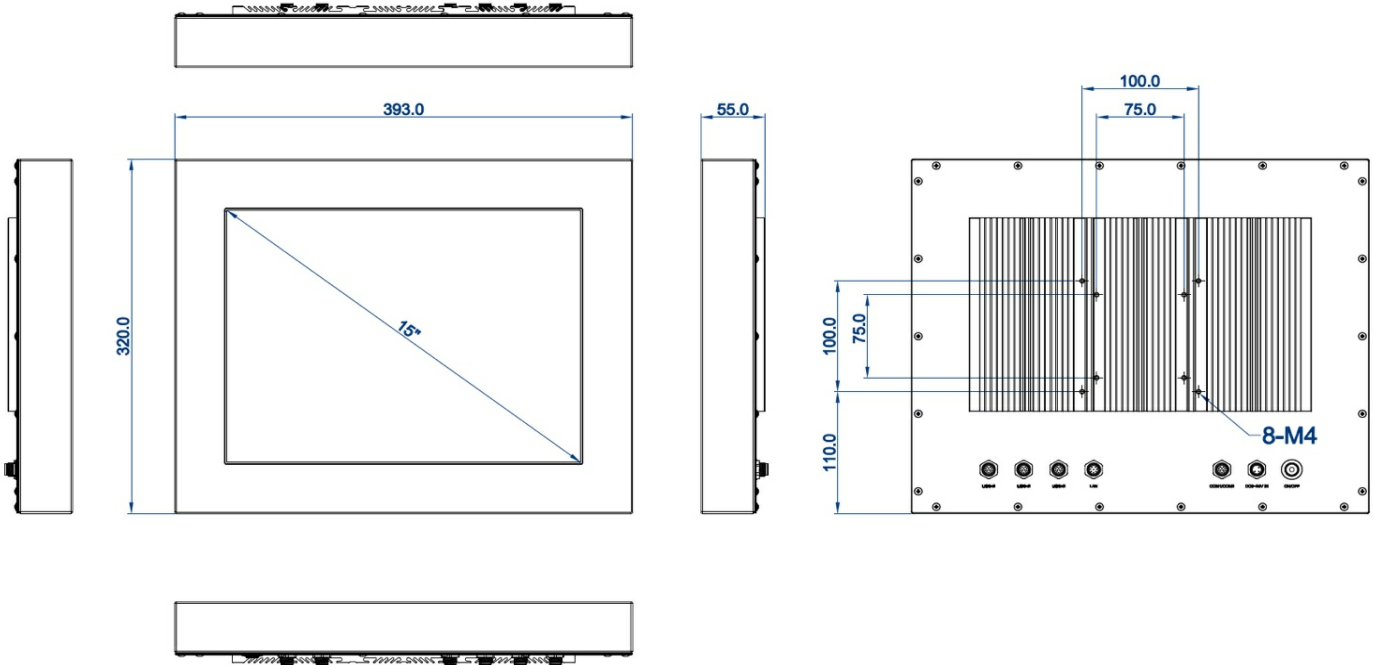
Features

- 15.0" TFT LCD, LED Backlit, XGA 1024 *768;
- Intel Skylake 6th-gen. Celeron, Core i3/i5/i7 processor;
- High precision 5-wires Resistive touchscreen;
- High strength 304 stainless steel material, optional 316/201 type;
- DC 12~24V, with over-current, over-voltage and polarity protection;
- 7 Full and reliable M12 water-proof aviation IO connector;
- 1*GLAN, 6* USB, 2* COM, 1* DC 9~24, 1* On/Off Button;
- VESA 75/100 mount, Full IP66 Water-proof & Dust-proof protection.

Specification

| | | | | | |
|----------------------------------|-----------------------|---|---------------------|--------------------------------------|-------------------------------------|
| Hardware & System | BIOS | SPI AMI EEI BIOS | | | |
| | CPU | Intel Core 3855U | Intel Core i3-6100U | Intel Core i5-6200U | Intel Core i7-6500U |
| | CPU Ghz | Dual-core 1.6Ghz | Dual core 2.3Ghz | Dual core 2.3Ghz, burst to 2.7Ghz | Dual core 2.5Ghz, bust to 3.1Ghz |
| | Memory | SO-DIMM, DDR4, max. up to 16GB | | | |
| | Storage | 1* 2.5"SATA + 1*mSATA | | | |
| | Graphic | Intel HD Graphics 520 | | | |
| | Network | 1* Intel I211AT (Optional 3G/4G/Wi-Fi) | | | |
| | Audio | On-board Realtek ACL 269 audio controller | | | |
| | OS | Win7, Win8, Win Embedded, Win10, Linux | | | |
| | IO interface | COM | 2*COM (COM1/2) | | |
| Ethernet | | 1* RJ45, 10/100/1000 Mbps | | | |
| USB | | 6* USB (USB1/2, USB3/4, USB5/6) | | | |
| Display | | NA | | | |
| Power | | 1* DC | | | |
| LCD Display | Size/Type | 15.0" TFT LCD | | | |
| | Resolution | 1024 * 768 (XGA) | | | |
| | Brightness | 350 nits | | | |
| | Backlit & MTBF | LED backlit & 50 000hours | | | |
| | Display area | 304.128 * 228.096 | | | |
| | View angle | 80/80/80/80 | | | |
| Touchscreen | Type | Precision 5-wires Resistive touchscreen | | | |
| | Response time | <5ms | | | |
| | Click life | 250g / 35 million times | | | |
| | Draw life | 250g / 5 million times | | | |
| Structure | Structure and surface | 304 stainless steel material, brushed treatment | | | |
| | Mount method | VESA 75/100 | | | |
| | Cooling system | Large area finned heat sink | | | |
| | Overall dimension | 264 * 205.6 * 84 (mm) | | | |
| | Cut-out dimension | 253 * 195 (mm) | | | |
| | Net weight | 6.5 KG | | | |
| | IP protection | Full IP66 | | | |
| Power & Environmental | Operating temp. | -20 ~ +60°C | | | |
| | Storage temp. | -30 ~ +70°C | | | |
| | Relative Humidity | 10 ~ 95% @ 10C (Non-condensation) | | | |
| | Vibration | 50 ~ 500 Hz, 1.5G, 0.15mm peak to peak | | | |
| | Shock | 10G/Peak (11 ms) | | | |
| | Power input | DC 9~24V | | | |
| | Power consumption | Around 40W | | | |
| EMC | CE/FCC Class A | | | | |

DIMENSIONAL DRAWING:TPC-SRF150



DIMENSIONS IN MILLIMETERS

DATE:2020.05.28
REV:B Unit:mm

Ordering info.

| Part no. | Description |
|-----------------------------|--|
| TPC-SRF150S0 | 15.0", 1024 * 768, Intel Celeron 3855U, Resistive Touch, 1*GLAN, 6*USB3.0, 2*COM, DC 9~24V, Full IP66 protection |
| TPC-SRF150S1 | 15.0", 1024 * 768, Intel Core i3-6100U, Resistive Touch, 1*GLAN, 6*USB3.0, 2*COM, DC 9~24V, Full IP66 protection |
| TPC-SRF150S2 | 15.0", 1024 * 768, Intel Core i5-6200U, Resistive Touch, 1*GLAN, 6*USB3.0, 2*COM, DC 9~24V, Full IP66 protection |
| TPC-SRF150S3 | 15.0", 1024 * 768, Intel Core i7-6500U, Resistive Touch, 1*GLAN, 6*USB3.0, 2*COM, DC 9~24V, Full IP66 protection |
| TDDR4-4/8GB1 | Memory: SO-DIMM, DDR4,4GB/8GB/16GB Memory |
| TMSATA-32/64/128/256/512GB1 | mSATA SSD: 32GB/64GB/128GB/256GB/512GB |
| T25SAS-256/512GB1 | 2.5" SATA SSD: 256GB/512GB |
| T25SAH-1T/2T/4TB1 | 2.5" HDD: 1TB/2TB |

Packing List

| |
|---------------------------------------|
| ■ 1x Standard Product with 1x 60W PSU |
| ■ 1x Ethernet Cable |
| ■ 1x Power cable & Plug |
| ■ 3x USB (2 in 1) Cable & Connector |
| ■ 1x COM (2 in 1) Cable & Connector |