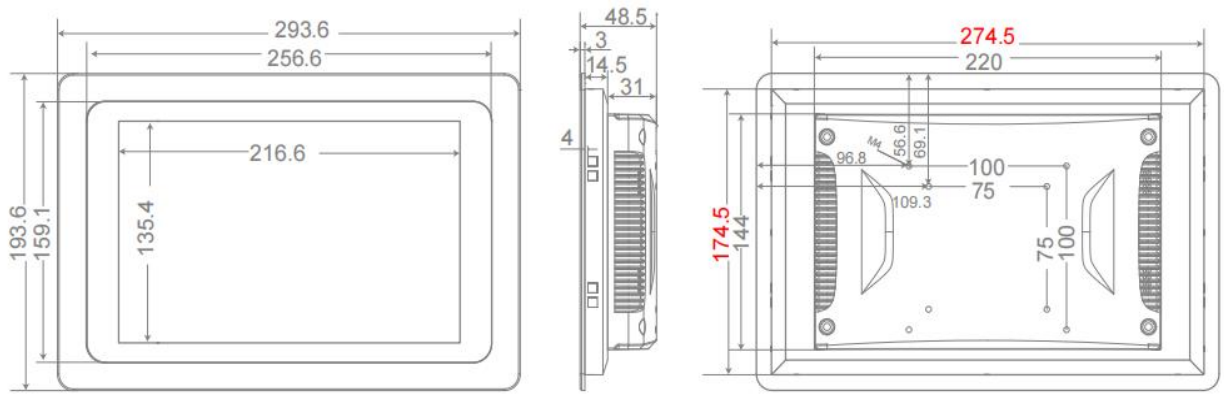


### 10.1 inch Android Panel PC

<b>Size</b>	<b>10.1 inch</b>
<b>Display</b>	
Panel Type	Industrial A grade LCD with LED backlight
Aspect Ratio	16:9
Resolution	1366*768
Contrast	800:1
Luminance	300nit, up to 800nits
Response time	5ms
Active Area (mm)	222.7*125.2
Display colors	16.7M(8-bit)
View angle	80/80/80/80
<b>PC Configuration</b>	
CPU	JWS-A64 Quad-core Cortex-A53 1.50Ghz, Android 6.0 version ( RK3288-A174-Android 7.1, RK3399-Android 7.1, A83T-Android4.4 options) RK3288-Quad-core Cortex-A17 up to 1.8GHz Mali-T764 GPU-Android 7.1: 2GB RAM+16GB eMMC; RK3399-dual-core Cortex-A72 and quad-core Cortex-A53 with separate NEON coprocessor, and with ARM Mali-T864 GPU-Android 7.1: 2GB RAM+16GB eMMC; 4GB RAM+32GB eMMC; A83T-Android4.4:2GB RAM+8GB eMMC;
Inner memory	2GB DDR3 RAM, 2GB/4GB customized
Storage	eMMC 8GB, can expandable to 16GB/ 32GB/64GB
WIFI	Built-in wifi module, 802.11a/b/g/n
Bluetooth	Built-in blue tooth module
Functions requirements	Built-in 3G/4G/GPS/USB Camera <b>(optional)</b>
<b>Touch Screen</b>	Default with 10-point capacitive touch, support Two-finger Touch Control while Wearing Gloves; Optional Non-touch;
<b>Touch Screen Surface Hard</b>	7 Mohs
<b>Touch Screen Transparenc</b>	90% (±3%)
<b>Operating System</b>	Pre-installed Android 6.0 (Android7.1(RK3288), Android7.1(RK3399)/Android4.4.2(A83T) optional)
<b>Support multi-language</b>	English, French, Spanish, Portuguese, Russian, Arabic, Chinese, etc
<b>Google play service</b>	Support Google play service
<b>Pre-installed App</b>	Google market, Email, Gmail, Google talk
<b>I/O ports</b>	1*12V ATX input, 1*SIM card slot, 1*TF/SD card slot, 1*HDMI, 2*USB , 1*RJ-45 network, 1*3.5mm Audio output interface, 1*com ( RS232), 1*mini USB port for re-flash/upgrading firmware
<b>Material</b>	Aluminum alloy enclosure
<b>Bezel thickness</b>	3mm bezel for 2nd generation upgrade version
<b>IP rating</b>	IP65 for front panel
<b>Power Consumption:</b>	≤30W
<b>Operation Temperature</b>	-10°C-60°C
<b>Storage Temperature</b>	-40°C-85°C
<b>Operation Humidity</b>	5%~80%
<b>Storage Humidity</b>	5%-90%
<b>Color</b>	Default with Black Color; Optional Silver Color;
<b>Installation Way</b>	Support Embedded / Wall Mount / VESA / Desktop;
<b>Warranty</b>	3 years warranty (with the exception of man-made damage)
<b>Certificates</b>	CE,ISO9001,FCC,ROHS
<b>Packaging</b>	EPE+Carton (wooden crate for mass order)
<b>Packing List</b>	1 x JWS101-A210; 1 x Power Adapter; 1 x Power Cord; 4 x Embedded bracket;
<b>Applications</b>	Human Machine Interface (HMI); Factory / Manufacturing Automation; ATM / Self-service / Kiosk Applications; Vending Machine / Ticketing Machine



10.1" / 10.4" / 11.6" / 12" / 12.1"

