



15.6-inch industrial Panel PC

Features

3mm ultra-thin front panel thickness, easy to maintain, and suitable for embedding. IP65 waterproof and dust-proof for the front panel.

Working temp for industrial panel PC: -10~65°C.

Aluminum alloy heat-dissipating material, low power consumption, energy-saving. Support 7*24 hours long-time running under all-weather conditions.

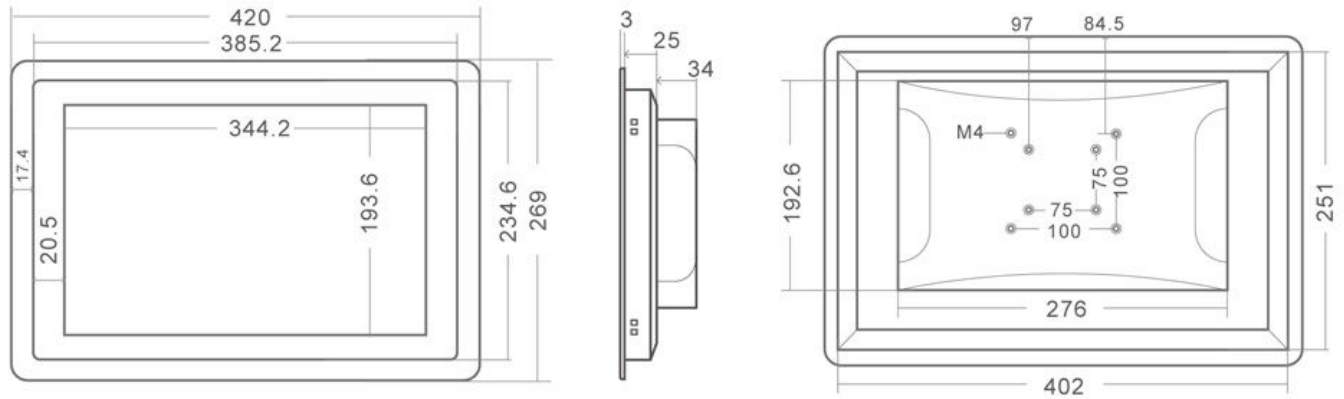
SPECIFICATION

Screen parameters	Screen size	15.6 inch 16:9 widescreen
	Model	TPC156-W2x0 x=1: PCAP touch, x=2: Resistive touch x=0: NO touch
	Resolution	1920*1080pitch size:0.264mm
Motherboard parameters	CPU	Intel® CORE® i5-8265U, Quad-Core up to 3.9 GHz,
	STORAGE	64G SSD (Optional 128G/256G/512 SSD)
	Memory	4G DDR4 (option: 8G DDR4)
	Audio	Integrated Audio Chip / Mic IN, Speaker OUT
	Network	Integrated Dual Gigabit LAN 2*RJ45
	Wireless network	built-in wifi antenna, support wireless connection (option)
	Graphics Cards	Intel® Integrated Graphics: HDMI + LVDS
	OS System	None, win7 embedded, W10 IoT, W11
	Speakers	Available (option)
Interface parameters	USB interface	USB3.0*3+USB2.0*1
	Serial Interface	COM*2, Default RS232 Protocol, 422/485 Protocol available
	WIFI connector	WIFI antenna*1
	Power Interface	DC 12V*1
Display parameters	Color	16.7M
	Contrast	1000:1
	Display brightness	350cd/m2 (high brightness above 350cd/m2 customizable)
	View angle	(H160 (V) 160, customizable wide viewing angle 178°
	Backlight type	LED-backlit screen Lifetime ≥ 50000h
	Gray-scale response time	5ms
	Touch Options	Resistive/Capacitive/Mouse control
	Installation method	Embedded, desktop, wall-mounted, VESA 75, VESA 100
Other parameters	Power	12V-5A Professional External Power Adapter
	Power consumption	≤60W
	Working temperature	-10°C~60°C
	Storage temperature	-20°C~60°C
	Relative humidity	0%-65% (without condensation)
	Material	Full body made of aluminum alloy material
	Color	Silver / Black
	Degree of protection	Front panel IP65 dustproof and waterproof
	Packing list	Industrial Tablet PC / Mounting Accessories / Power Cord / Power Adapter / Driver CD / Manual / Warranty Card

DIMENSION:

15.6 " Product specification (16:9)

Resolution: 1920*1080 Error: $\pm 1\text{mm}$; Wall mounted hole size: 75*75、100*100mm



cut out dimension: 386 * 235 mm

ORDERING GUIDE:

TPC156-W200-J4125	15,6" PPC J4125 CPU no touch, 4GB ram, 64 GB SSD
TPC156-W210-J4125	15,6" PPC J4125 CPU PCAP touch, 4GB ram, 64 GB SSD
TPC156-W220-J4125	15,6" PPC J4125 CPU resistive touch, 4GB ram, 64 GB SSD
TPC156-W200-i3-8145U	15,6" PPC i3-8145U CPU no touch, 4GB ram, 64 GB SSD
TPC156-W210- i3-8145U	15,6" PPC i3-8145U CPU PCAP touch, 4GB ram, 64 GB SSD
TPC156-W220- i3-8145U	15,6" PPC i3-8145U CPU resistive touch, 4GB ram, 64 GB SSD
TPC156-W200-i5-8265U	15,6" PPC i5-8265U CPU no touch, 4GB ram, 64 GB SSD
TPC156-W210- i5-8265U	15,6" PPC i5-8265U CPU PCAP touch, 4GB ram, 64 GB SSD
TPC156-W220- i5-8265U	15,6" PPC i5-8265U CPU resistive touch, 4GB ram, 64 GB SSD

Options: 8GB DDR4 ram instead of 4 GB. 128GB/256GB/512GB SSD instead of 64GB SSD

Brightness up tp 1000nits.